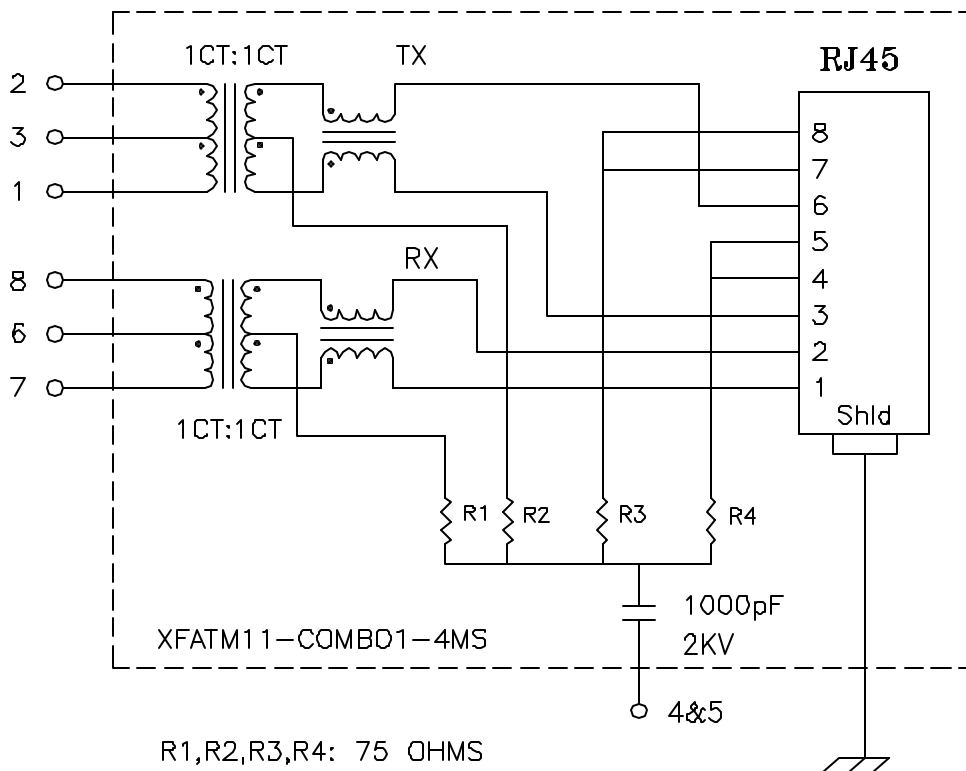


Schematic:



Electrical Specifications: @25°C

- Isolation Voltage: 1500 Vrms (Input to Output)
- Isolation Voltage: 500 Vrms (P1+2+3 to P6+7+8)
- Turns Ratio: TX 1CT:1CT ±3% RX 1CT:1CT ±3%
- CABLE SIDE OCL: 350uH Minimum @100KHz 100mV 8mADC
- Cw/w: 25pF Max @100KHz 100mV
- Leakage L (Line side): 0.3uH Max (Short Chip side)
- DC Res. (Line Side): 1.2 Ohms Max each
- Insertion Loss (300KHz-100MHz): -1.1dB Typical
- Return Loss: @30MHz -18dB Minimum
- @80MHz -12dB Minimum

Notes:

1. Solderability: Leads shall meet MIL-STD-202G, Method 208H for solderability.
2. Flammability: UL94V-0
3. ASTM oxygen index: > 28%
4. Insulation System: Class F 155°C. UL file E151556
5. Operating Temperature Range: All listed parameters are to be within tolerance from -40°C to +85°C
6. Storage Temperature Range: -55°C to +125°C
7. Aqueous wash compatible
8. Electrical and mechanical specifications 100% tested
9. RoHS Compliant Component

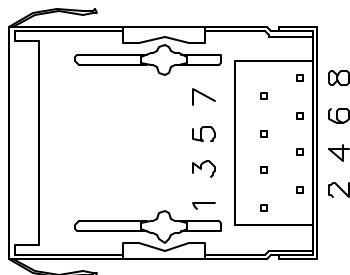
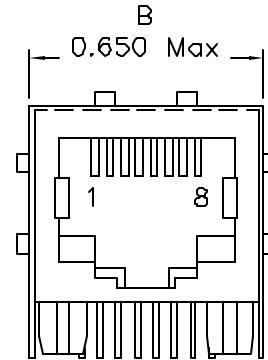
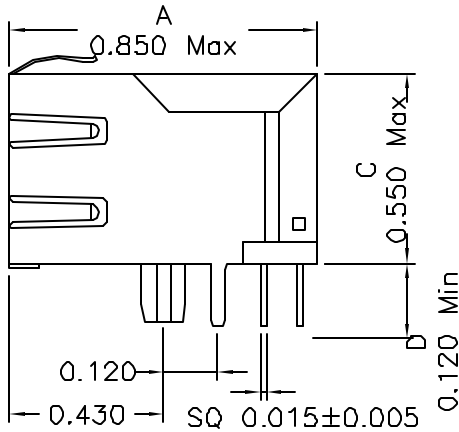
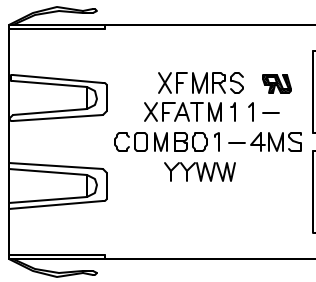
DOC. REV: A/2

XFMRs Inc. www.XFMRS.com		Title: SINGLE PORTS COMBO	
UNLESS OTHERWISE SPECIFIED		P/N: XFATM11-COMBO1-4MS	REV. A
TOLERANCES: .xxx ±0.010		DWN. 李清儿	Mar-20-07
Dimensions in Inch		CHK. 孙心	Mar-20-07
SHEET 1 OF 2		APP. MS	Mar-20-07

PROPRIETARY:

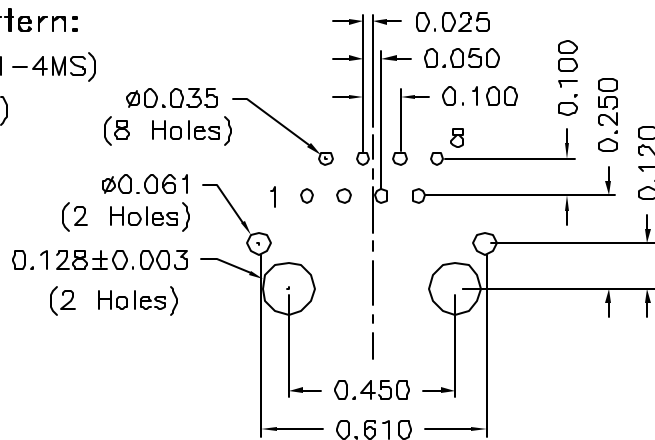
Document is the property of XFMRs Group & is not allowed to be duplicated without authorization.

Mechanical Dimensions:



(BOTTOM VIEW)

Mounting Pattern: (FOR COMBO1-4MS) (COMP SIDE)



DOC. REV: A/2

XFMRS Inc. www.XFMRS.com	Title: Mechanical Dimensions For COMBO1-4MS Series		
	UNLESS OTHERWISE SPECIFIED TOLERANCES: .xxx ±0.010 Dimensions in Inch	XFATM11-COMBO1-4MS	REV. A
SHEET 2 OF 2		APP. MS	Mar-20-07

PROPRIETARY:

Document is the property of XFMRS Group & is not allowed to be duplicated without authorization.